

Series 400

HD Brushless

100-40208
28 Volts 550 Amps



With Air Precleaner (as supplied)

PRODUCT SPECIFICATIONS

Part number	100-40208
System Voltage	24V
Rated Output	550A
Output @ 2000 rpm	345A
Ground	Isolated
Mounting	Cradle
Rotation	Bidirectional
Temperature limits:	
Low	- 40°C / -40°F
High	93°C / 200°F (with air precleaner)
High	125°C / 257°F (with fresh air intake hose)
Speed limits:	
	7000 RPM continuous
	8000 RPM intermittent
Coating	Corrosion-Resistant E-Coated
Weight	94 Lbs / 42.5 Kg.
Regulator	Remote
Relay/AC	M5 terminal

ACCESSORIES:

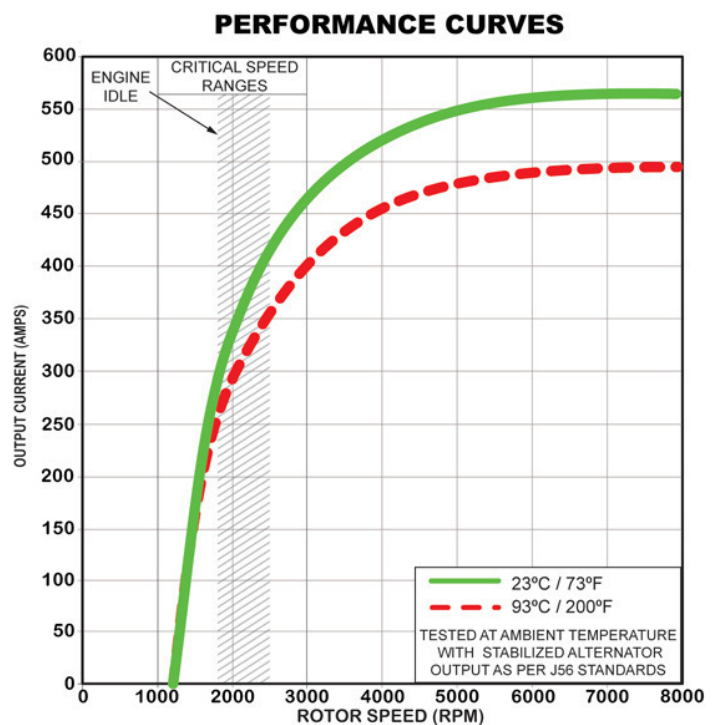
Remote Voltage Regulator	# 3500-50251
Air Precleaner	# 4800-2101
Oil Line Cap Kit	# 4900-5000
(oil cooled to air cooled conversion)	

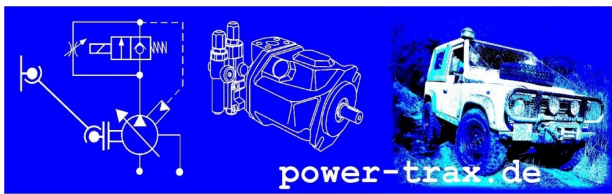
RECOMMENDED FOR:

- Marine
- Mining
- Industrial
- Construction

NOTE:

This Power-Trax alternator meets the marine requirements for Ignition Protection on gas or diesel engines of ISO 8846, USCG, stated in Title 33 CFR 183.410, SAE J1171 and International CE Standards.

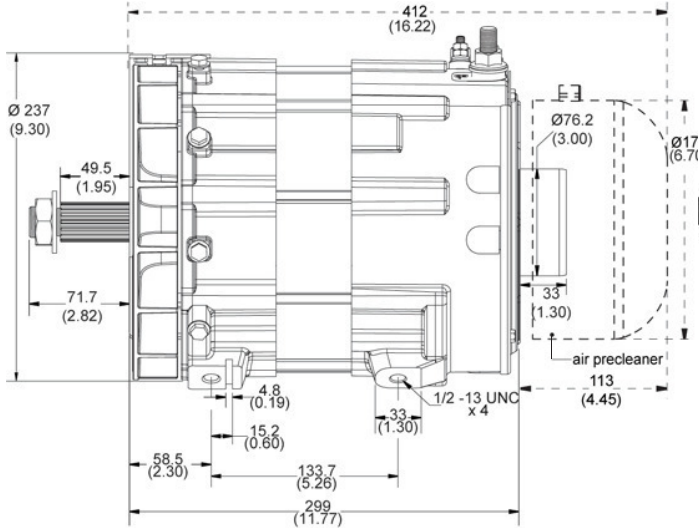




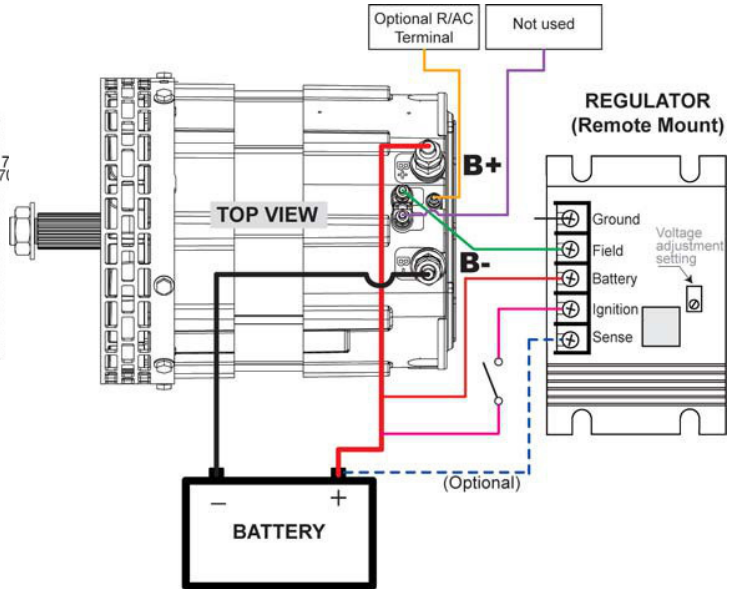
Series 400

HD Brushless

OUTLINE



CONNECTIONS

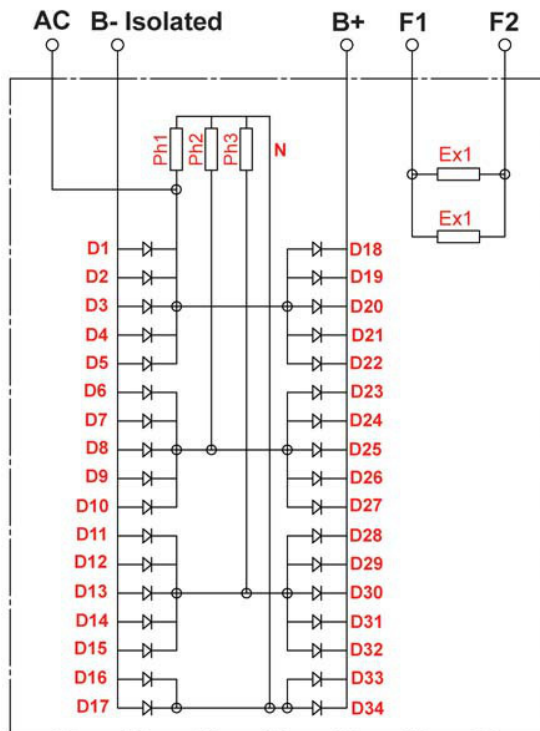


Dimensions are listed in mm over (in)

100-40208

28 Volts 550 Amps

ELECTRICAL SCHEMATIC



Power-Trax.de

Sonderfahrzeugbau - Technischer Spezialvertrieb

<http://www.power-trax.de>

info @ power-trax.de

Tel.: +49 - (0)906 / 9999 849-17

Mobil: +49 - (0)163 / 4321 435

Fax: +49 - (0)906 / 9999 849-18

Dietrich-Bonhoeffer-Str. 28

D-86609 Donauwoerth