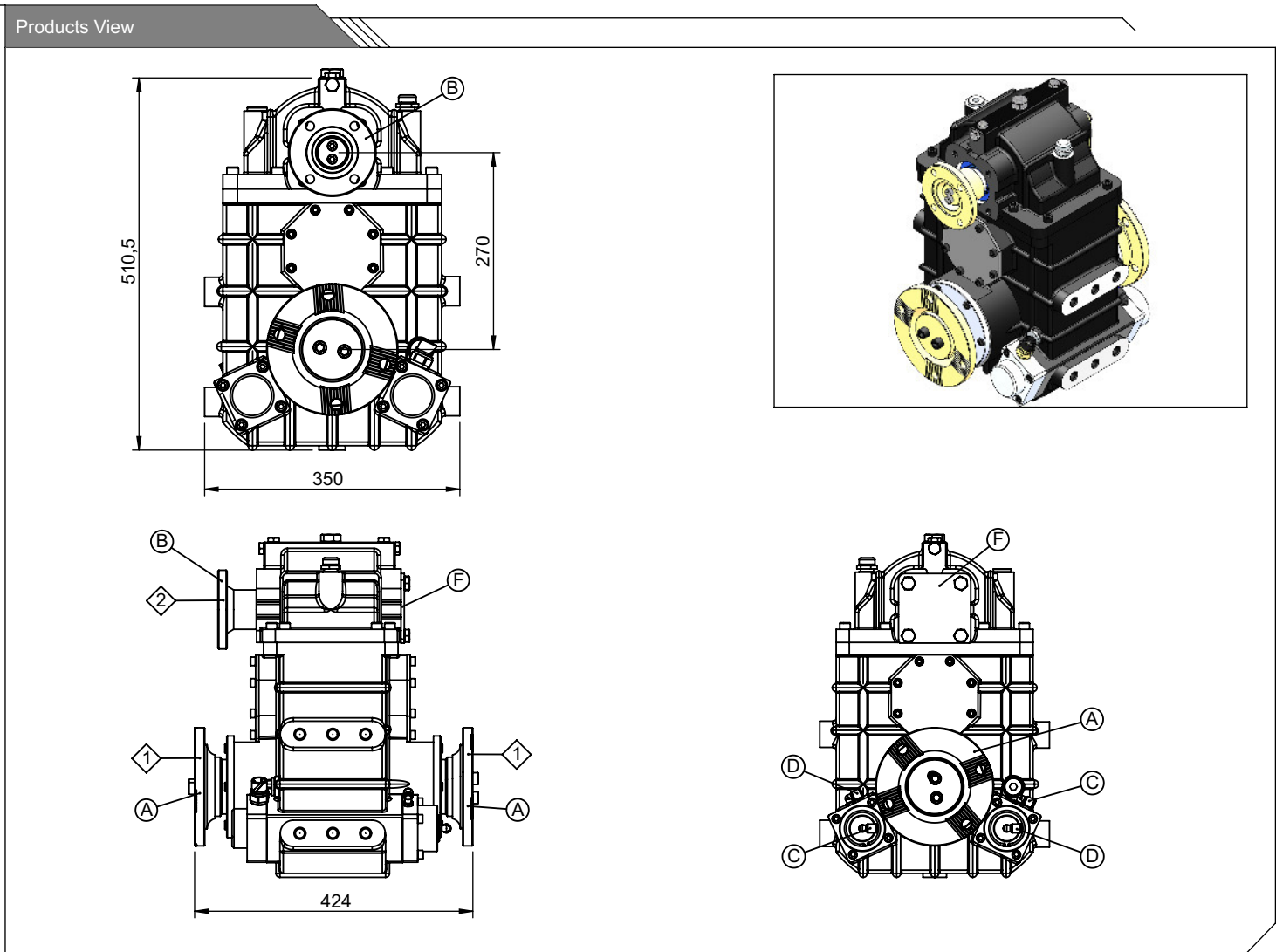


Vehicle Type	FOR HEAVY DUTY FIRE FIGHTING VEHICLES & ROAD MAINTENANCE VEHICLES
Gearbox Type	

Product Code
UARA.2001



Options

A :	A : DIN 150 (Cross Hatch)-DIN 180 (Cross Hatch)-DIN 180
B :	B : DIN 100 (6 Holes) - DIN 120 (4 Holes)
C :	C : Air Inlet (Engage)
D :	D : Air Inlet (Disengage)
F :	F : Second Output (Options)

Technical Data

Outputs	Power (Kw)	Maximum Torque		Ratio	Mounting Type	Control Type
	1000 Dev.	Nm	Kgm			
1	2200	21010	2141	1/1	SHAFT/SHAFT	PNEUMATIC
2	135	1275	130	1/1 1/1.2 1/1.4	Weight (Kg)	Rotation Sense
3					135	COUNTERCLOCKWISE(CCW)

Power-Trax.de
Sonderfahrzeugbau - Technischer Spezialvertrieb
<http://www.power-trax.de>
info @ power-trax.de

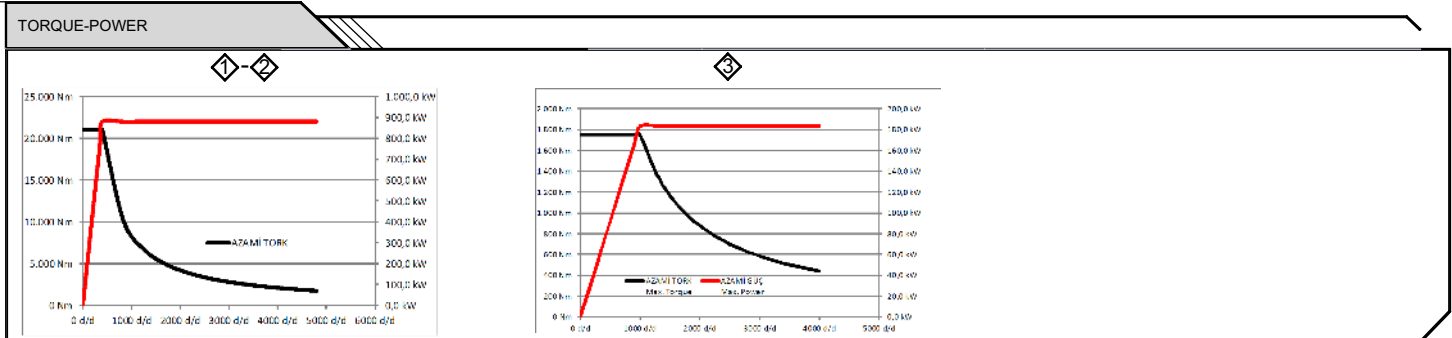


Vehicle Type	FOR HEAVY DUTY FIRE FIGHTING VEHICLES & ROAD MAINTENANCE VEHICLES
Gearbox Type	

Product Code
UARA.2002

Product Views

- ◇ ISO 7647 - ISO 7646 - ISO 8667 Standard Flange
- ◇ ISO 7647 - ISO 7646 - ISO 8667 Standard Flange
- ◇ ISO 7647 - ISO 7646 - Standard Flange
- ◇ ISO 7647 - ISO 7646 - Standard Flange
- ◇ Second Output (Optional)
- A: Air Inlet (Engage)
- B: Air Inlet (Disengage)



Technical Data

I/O	Maximum Torque (Nm)	Ratio	Rotation Sense	Mounting Type		
◇1	21010	1/1	-	SHAFT	All content contained herein is subject to change without notice This is not a legally binding document. It is for information only. Maximum power and torque limits provided are <i>only</i> valid for the mentioned PTO. <i>Do not</i> exceed the PTO power and torque limits determined by the transmission and the vehicle manufacturer. For PTO's coupled rigidly to the transmissions, supported weight and the length of the attached pump, shaft etc. should not exceed the limits provided by the transmission and the vehicle manufacturer.	
◇2	21010	1/1	Same as input			
◇3	1766	1/1 1/1.84 1/2.25	Opposite to input	Weight (Kg)		Body material
◇4				128		Sfero / NC

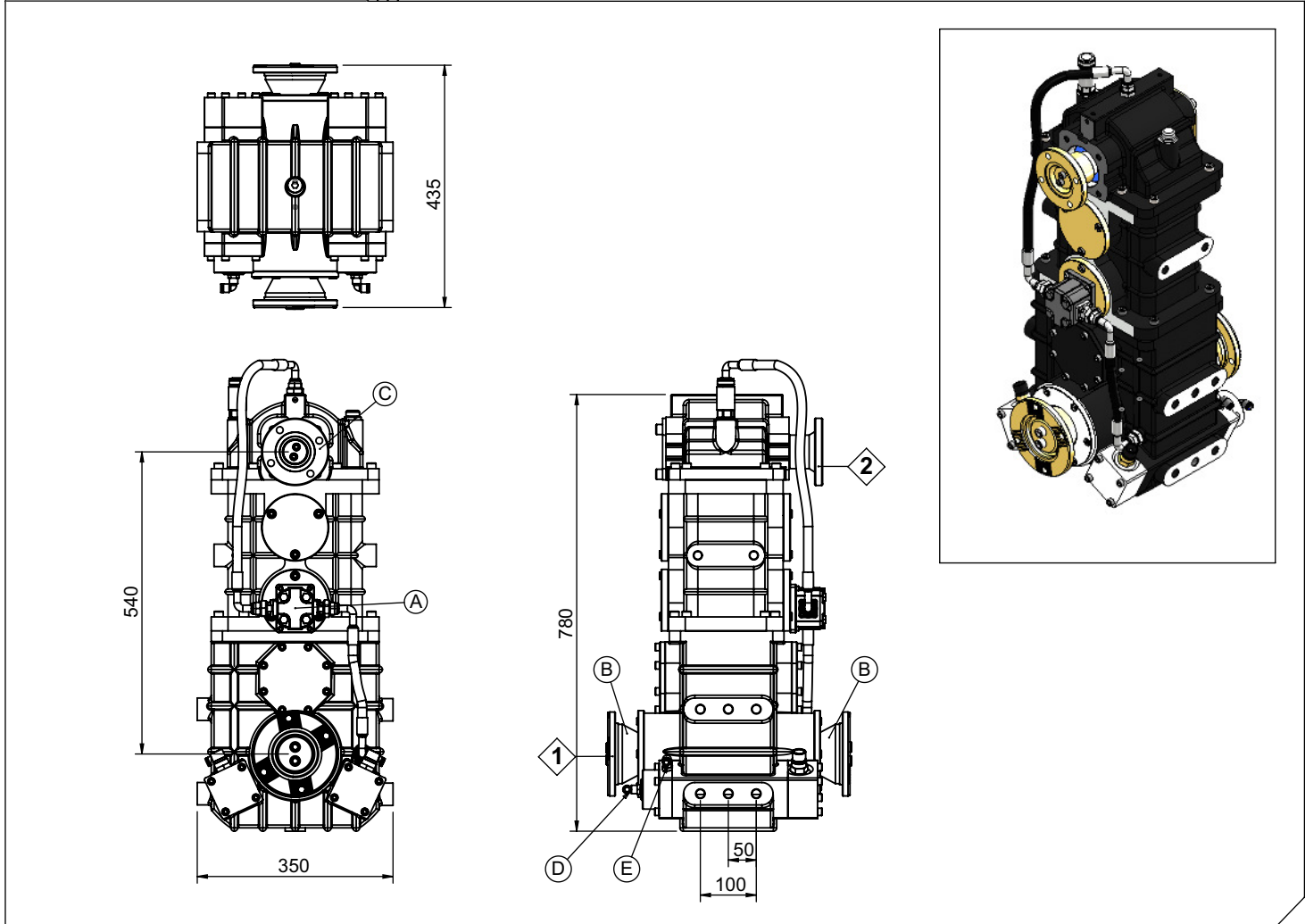
Power-Trax.de
 Sonderfahrzeugbau - Technischer Spezialvertrieb
<http://www.power-trax.de>
 info @ power-trax.de



Vehicle Type	FOR HEAVY DUTY FIRE FIGHTING VEHICLES & ROAD MAINTENANCE VEHICLES
Gearbox Type	

Product Code
UARA.2005

Products View



Options

A: Gear Pump
 B: Hand Brake System (Mitsubishi-Hyundai-Isuzu-Hino)
 C: Flange, DIN 100 and DIN 120
 D: Air Inlet R1/4" (Engage)
 E: Air Inlet R1/4" (Disengage)

Teknik Bilgi / Technical Data

Outputs	Power (Kw)	Maximum Torque		Ratio	Mounting Side	Control Type
	1000 Dak.	Nm	Kgm			
1	2200	21010	2141	1/1	SHAFT	HAVALI/PNEUMATIC
2	135	1275	130	1/1 1/1.2 1/1.4	Weight (Kg)	Rotation Sense
3					200	COUNTERCLOCKWISE(CCW)

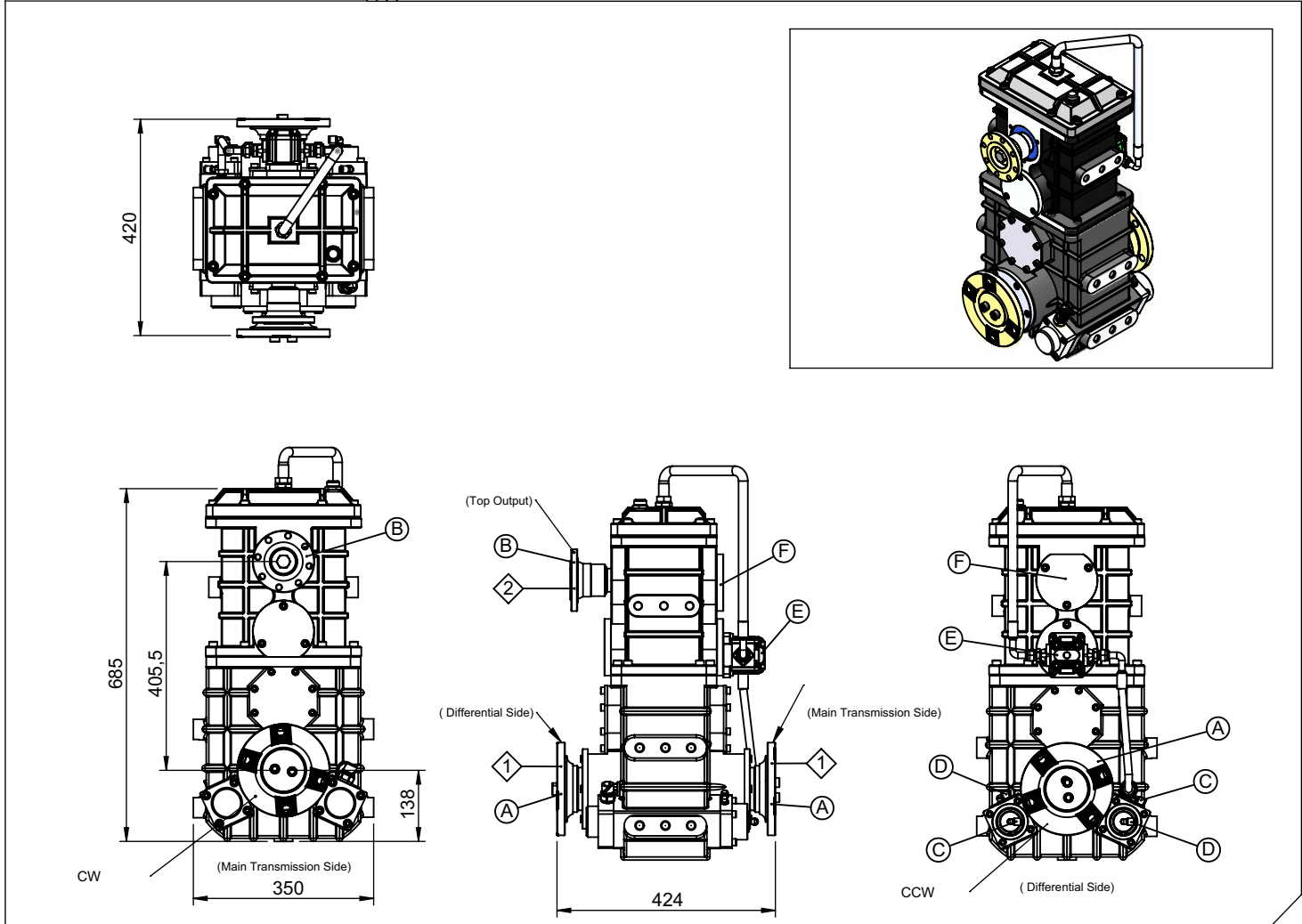
Power-Trax.de
 Sonderfahrzeugbau - Technischer Spezialvertrieb
<http://www.power-trax.de>
 info @ power-trax.de



Vehicle Type	FOR HEAVY DUTY FIRE FIGHTING VEHICLES & ROAD MAINTENANCE VEHICLES
Gearbox Type	-

Product Code
UARA.2006

Products View

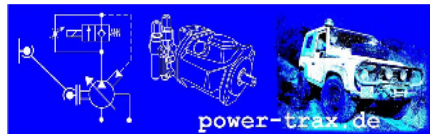


Options	
A :	A : ISO 7647 - ISO 7646 - ISO 8667 Standard Flange
B :	B : ISO 7647 - ISO 7646 - ISO 8667 Standard Flange
C :	C : Air Inlet (Engage)
D :	D : Air Inlet (Disengage)
E :	E : Lubricating pump (Std.)
F :	F : Second Output (Options)

Technical Data

Outputs	Power (Kw)	Maximum Torque		Ratio	Mounting Side	Control Type
	1000 Dak.	Nm	Kgm			
1	2200	21010	2141	1/1	SHAFT	PNEUMATIC
2	185	1766	180	1/1.1 1/1.7 1/1.97	Weight (Kg)	Rotation Sense
3					170	COUNTERCLOCKWISE(CCW)

Power-Trax.de
Sonderfahrzeugbau - Technischer Spezialvertrieb
<http://www.power-trax.de>
info @ power-trax.de

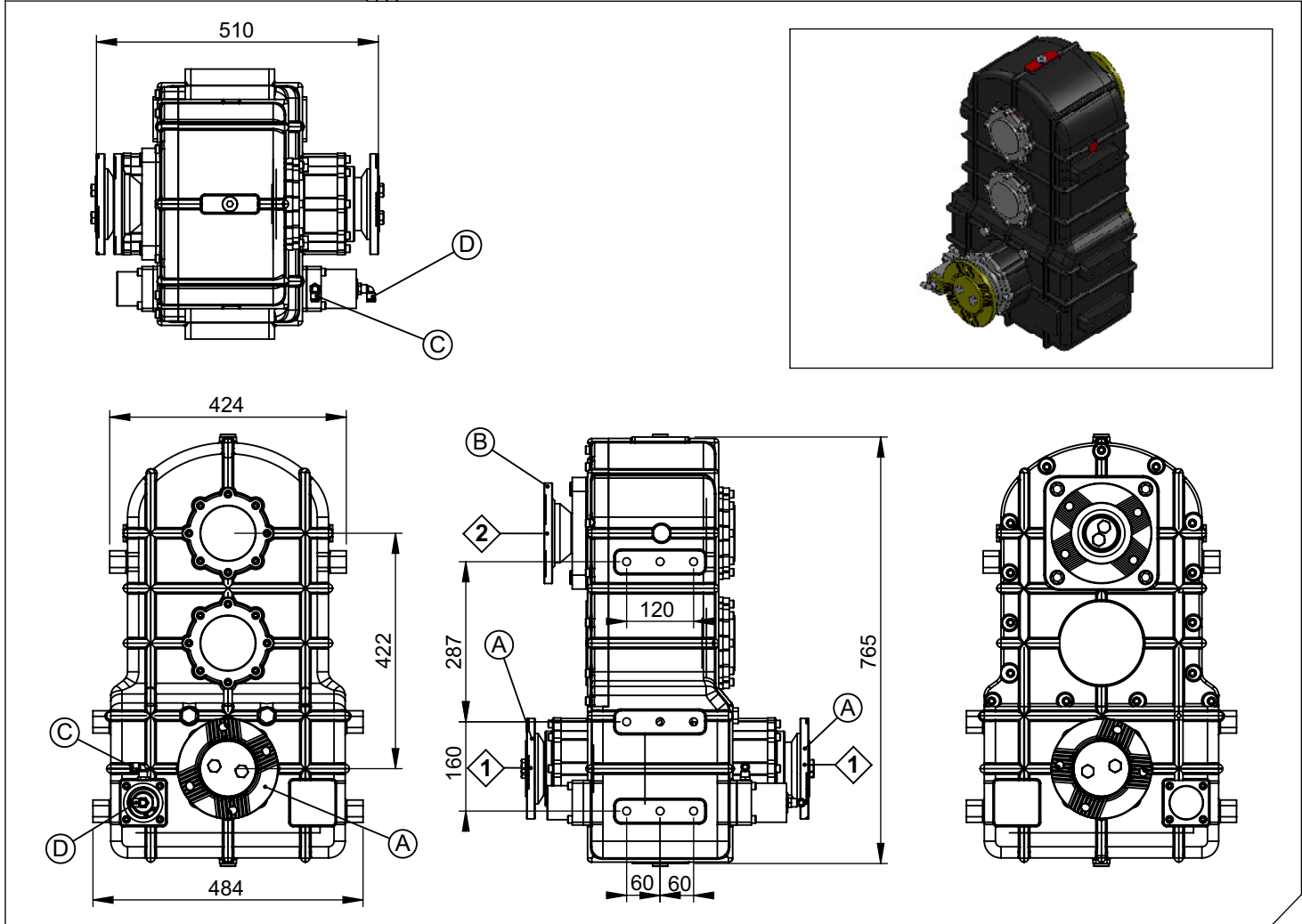


Vehicle Type	FOR HEAVY DUTY FIRE TRUCKS & SEWER JETTING CLEANING & SEWER VACUUM CLEANING TRUCKS
Gearbox Type	

Product Code

UARA.3000

Products View



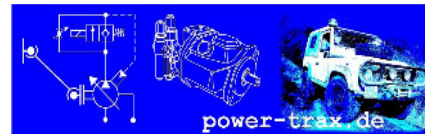
Options

	<p>A: DIN 150(4 H. Cross Hatching), DIN180(4 H. Cross Hatching), DIN180(8 H) B: DIN150 (4 Holes Cross Hatching), DIN180 (4 Holes Cross Hatching) C: Air Inlet R1/4" (Engage) D: Air Inlet R1/4" (Disengage)</p>
--	--

Technical Data

Outputs	Power (Kw)	Maximum Torque		Ratio	Mounting Side	Control Type
	1000 Dak.	Nm	Nm			
1	3081.7	30000	21000	1/1	SHAFT	PNEUMATIC
2	350	3342.5	2500	1/1.3	Weight (Kg)	Rotation Sense
3					250	COUNTERCLOCKWISE(CCW)

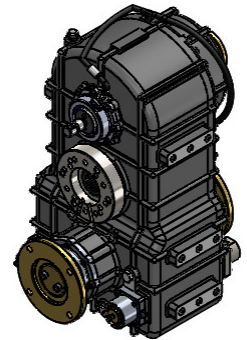
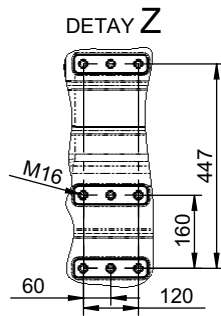
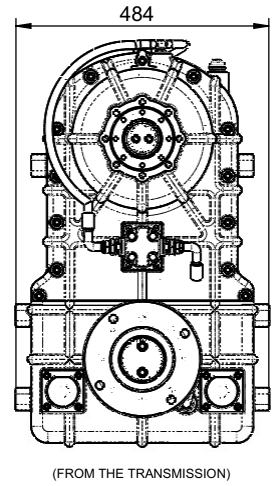
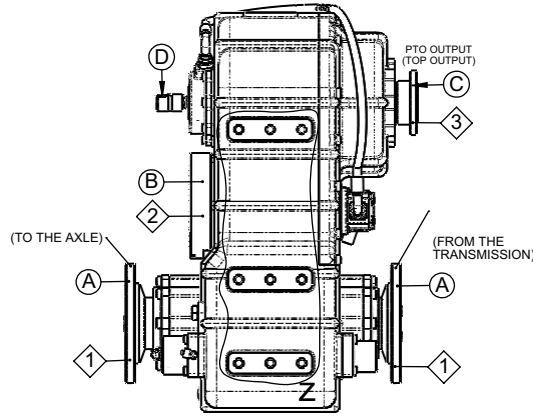
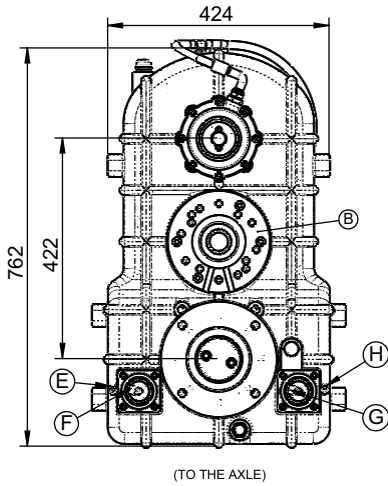
Power-Trax.de
 Sonderfahrzeugbau - Technischer Spezialvertrieb
<http://www.power-trax.de>
 info @ power-trax.de



Vehicle Type	FOR HEAVY DUTY FIRE TRUCKS & SEWER JETTING CLEANING & SEWER VACUUM CLEANING TRUCKS
Gearbox Type	

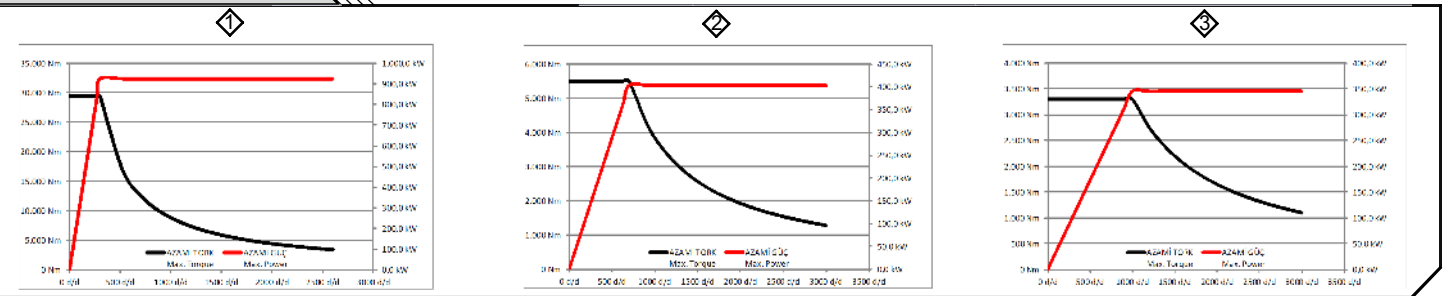
Product Code	UARA.3005
Revision No- Date	00 / 14.05.2016

Product Views



- A: Flange ISO 7647-ISO 7646-ISO 8667
- B: Pump Output : SAE B
- C: Flange ISO 7647-ISO 7646-ISO 8667
- D: Air Inlet R1/4" (Clutch Disc Engage)
- E: Air Inlet R1/4" (Rear Axle Output Engage)
- F: Air Inlet R1/4" (Rear Axle Output Disengage)
- G: Air Inlet R1/4" (Top Output Engage)
- H: Air Inlet R1/4" (Top Output Disengage)

TORQUE-POWER



Technical Data

I/O	Maximum Torque (Nm)	(I/O Speed Ratio)	Rotation Sense	Mounting Type	
1	29400	1/1	-	Shaft	
2	5500	1/1,25	Opposite to input		
3	3300	1/1,1	Same as input		
4	-	-	-	Weight (Kg)	Body material
5	-	-	-	310	Sfero/NCI

All content contained herein is subject to change without notice
This is not a legally binding document. It is for information only.

Maximum power and torque limits provided are *only* valid for the mentioned PTO. *Do not* exceed the PTO power and torque limits determined by the transmission and the vehicle manufacturer.

For PTO's coupled rigidly to the transmissions, supported weight and the length of the attached pump, shaft etc. should not exceed the limits provided by the transmission and the vehicle manufacturer.

Power-Trax.de
 Sonderfahrzeugbau - Technischer Spezialvertrieb
<http://www.power-trax.de>
 info @ power-trax.de

